

CAPSYLITE® Halogen PAR Lamps



- Long Life: up to 4500 hours
- Bright white, high quality halogen light
- Innovative technology for high performance
- Energy efficient halogen sources
- CAPSYLITE SPL also offers totally new halogen lens/reflector SYSTEM
 - Superior beam control and sharp cutoff
 - Improved optical system provides consistent, uniform performance from lamp to lamp
 - Lens stamped with beam pattern for easy identification

ECOLOGIC® is a comprehensive program of OSRAM SYLVANIA focused on addressing environmental issues at all stages of lamp life.



Product Availability

Product	Wattage	Beam Angle
PAR14	35	FL 50°
PAR16	60	NSP 10°, NFL 30°
	75	NSP 10°, NFL 30°
PAR20	35	NSP 10°, NFL 30°, WFL 40°
	50	NSP 10°, NFL 30°, WFL 40°
PAR30	50	NSP 9°, NFL 25°, FL 40°
	60	NSP 9°, NFL 25°
	75	NSP 9°, NFL 25°, FL 40°
PAR30LN	35	NSP 9°, WFL 50°
	50	NSP 9°, NFL 25°, WFL 50°
	75	NSP 9°, NFL 25°, WFL 50°
PAR38	45	SP 9°, WSP 12°, FL 30°, WFL 50°
	60	SP 9°, WSP 12°, NFL 25°, FL 30°
	75	SP 9°, WSP 12°, FL 30°, WFL 50°
	90	SP 9°, WSP 12°, NFL 25°, FL 30°, WFL 50°
	120	SP 10°, NFL 25°, FL 30°, WFL 50°
	250	SP 10°, FL 30°

SYLVANIA CAPSYLITE® halogen PAR lamps are the perfect choice for a wide variety of general illumination, task and accent light applications.

Most CAPSYLITE and CAPSYLITE SPL lamps can be used indoors or out, in a broad range of downlight, track and recessed ceiling mounted fixtures. A wide variety of lamp sizes, wattages and beam angles meet the needs of virtually any lighting application. This quality "high-end" light adds to the appeal of merchandise in store, showroom and gallery displays.

In addition, their long life and energy efficiency make CAPSYLITE lamps ideal for use in residential, commercial and industrial buildings.

Application Information

Applications

PAR38

- Can be used for virtually any purpose, indoor or outdoor
- Ideal for accent lighting, merchandise displays and general illumination in offices, lobbies and public buildings
- Provides a high degree of flexibility with a choice of five wattages and beam spreads

PAR30

- Perfect for use in shallow recessed, track and downlight fixtures
- Indoor and outdoor display and accent applications

PAR30 Long Neck

- Direct replacement for incandescent R and BR lamps
- Long life energy efficient upgrade from standard incandescent lamps

PAR20

- Indoor and outdoor display and accent applications
- High light output from small fixtures
- Direct replacement for incandescent R20 lamps

PAR16

- Use in open fixtures
- Display and accent applications
- Perfect for highlighting jewelry, glassware and other fine merchandise
- A compact, high quality halogen light source in an attractive ceramic reflector

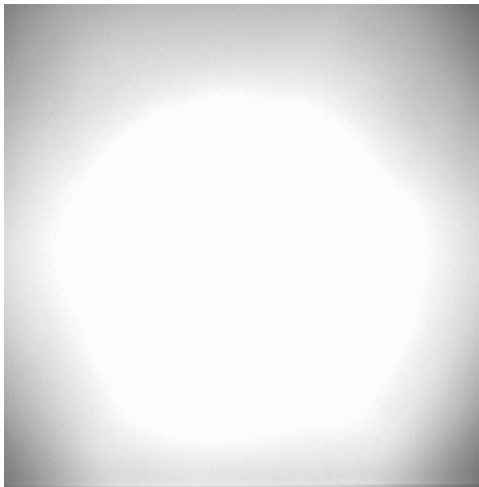
PAR14

- Acts as its own fixture in bare sockets
- Ideal for micro display and accent applications

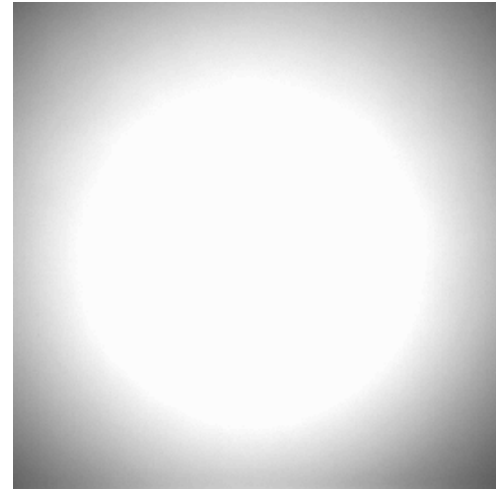
Sample Specification

Lamp shall be CAPSYLITE halogen.....(PAR14, PAR16, PAR20, PAR30, PAR30LN or PAR38) lamp with a(2000, 2500, 3000 or 4500) – hour average rated life, shall be diode free and employ stabilized coils. Lamp shall be energy efficient and produced to EPACK standards. Lamp base shall contain no lead solder to make the disposal of used CAPSYLITE SPL lamp easier for the end user.

Optical Performance



Standard Halogen PAR



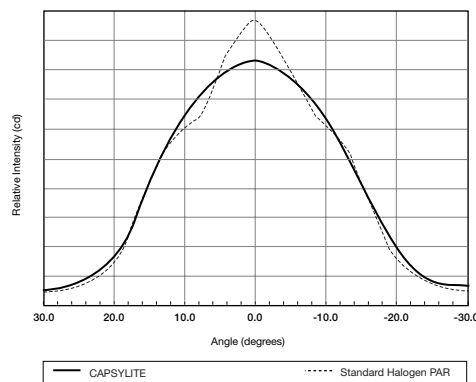
CAPSYLITE SPL Optics

CAPSYLITE SPL Optical System

CAPSYLITE SPL lamps employ a patented spiral lenticule layout on their lenses. These patterns were computer designed to deliver a smooth, round beam pattern that is free from hot spots and stray light. The new lenses, however, are only half of the story. The new spiral flat reflectors were also computer designed to work in concert with the lenses. The spiral flats on the inner surface of the reflector begin to shape and contour the light rays before they reach the lens. The reflector and the lens, therefore, share the job of controlling the light so that the resultant beam pattern is as smooth as possible. The optical system maximizes the lumens in the beam angle, while providing consistent lamp-to-lamp performance.

Beam Performance

Comparison of Standard Halogen PAR to New CAPSYLITE with SPL Optics



The beam performance of the CAPSYLITE product line with SPL optics will change the way PAR lamps are specified. Traditionally, PAR lamps were designed to provide peak intensity in the center of the beam and the light level dropped rapidly from that point. In contrast, the CAPSYLITE product line is designed to give a more even distribution of high level light across as broad an area as possible with no hot spots. The result is a uniform light level on the target that maximizes the impact of the halogen source.

Ordering and Specification Information

Item Number	Ordering Abbreviation	Watts	Base	Avg. Rated Life (hrs.)	Volts	CBCP	Beam Angle	Lumens	MOL
14553	35PAR14/CAP/FL50/RP	35	Medium	2000	120	85	50°	300	2 7/16
59032	60PAR16/CAP/NSP10	60	Medium	2000	120	5000	10°	650	2 7/8
59040	60PAR16/CAP/NSP10	60	Medium	2000	130	5000	10°	650	2 7/8
59030	60PAR16/CAP/NFL30	60	Medium	2000	120	1300	30°	650	2 7/8
59038	60PAR16/CAP/NFL30	60	Medium	2000	130	1300	30°	650	2 7/8
59036	75PAR16/CAP/NSP10	75	Medium	2000	120	7500	10°	900	2 7/8
59044	75PAR16/CAP/NSP10	75	Medium	2000	130	7500	10°	900	2 7/8
59034	75PAR16/CAP/NFL30	75	Medium	2000	120	1900	30°	900	2 7/8
59042	75PAR16/CAP/NFL30	75	Medium	2000	130	1900	30°	900	2 7/8
14467	35PAR20/CAP/SPL/NSP10	35	Medium	2500	120	3000	10°	360	3 1/4
14460	35PAR20/CAP/SPL/NSP10	35	Medium	2500	130	3000	10°	360	3 1/4
14464	35PAR20/CAP/SPL/NFL30	35	Medium	2500	120	800	30°	360	3 1/4
14459	35PAR20/CAP/SPL/NFL30	35	Medium	2500	130	800	30°	360	3 1/4
14506	35PAR20/CAP/SPL/WFL40	35	Medium	2500	120	500	40°	360	3 1/4
14461	35PAR20/CAP/SPL/WFL40	35	Medium	2500	130	500	40°	360	3 1/4
14500	50PAR20/CAP/SPL/NSP10	50	Medium	2500	120	4600	10°	550	3 1/4
14528	50PAR20/CAP/SPL/NSP10	50	Medium	2500	130	4600	10°	550	3 1/4
14502	50PAR20/CAP/SPL/NFL30	50	Medium	2500	120	1200	30°	550	3 1/4
14529	50PAR20/CAP/SPL/NFL30	50	Medium	2500	130	1200	30°	550	3 1/4
14700	50PAR20/CAP/SPL/WFL40	50	Medium	2500	120	900	40°	550	3 1/4
14526	50PAR30/CAP/SPL/NSP9	50	Medium	2500	120	8800	9°	660	3 5/8
14530	50PAR30/CAP/SPL/NSP9	50	Medium	2500	130	8800	9°	660	3 5/8
14527	50PAR30/CAP/SPL/NFL25	50	Medium	2500	120	2300	25°	660	3 5/8
14531	50PAR30/CAP/SPL/NFL25	50	Medium	2500	130	2500	25°	660	3 5/8
14710	50PAR30/CAP/SPL/FL40	50	Medium	2500	120	1300	40°	660	3 5/8
14533	50PAR30/CAP/SPL/FL40	50	Medium	2500	130	1300	40°	660	3 5/8
14332	60PAR30/CAP/SPL/NSP9	60	Medium	3000	120	12,000	9°	860	3 5/8
14333	60PAR30/CAP/SPL/NFL25	60	Medium	3000	120	3500	25°	860	3 5/8
14090	60PAR30/CAP/SPL/NFL25	60	Medium	3000	130	3500	25°	860	3 5/8
14604	75PAR30/CAP/SPL/NSP9	75	Medium	2500	120	15,400	9°	1130	3 5/8
14628	75PAR30/CAP/SPL/NSP9	75	Medium	2500	130	15,400	9°	1130	3 5/8
14603	75PAR30/CAP/SPL/NFL25	75	Medium	2500	120	4000	25°	1130	3 5/8
14627	75PAR30/CAP/SPL/NFL25	75	Medium	2500	130	4000	25°	1130	3 5/8
14606	75PAR30/CAP/SPL/FL40	75	Medium	2500	120	2100	40°	1130	3 5/8
14629	75PAR30/CAP/SPL/FL40	75	Medium	2500	130	2100	40°	1130	3 5/8
14759	35PAR30LN/CAP/NSP9	35	Medium	2500	120	5700	9°	450	4 11/16
14764	35PAR30LN/CAP/WFL50	35	Medium	2500	120	450	50°	450	4 11/16
14509	50PAR30LN/CAP/NSP9	50	Medium	2500	120	8800	9°	660	4 11/16
14482	50PAR30LN/CAP/NSP9	50	Medium	2500	130	8800	9°	660	4 11/16
14520	50PAR30LN/CAP/NFL25	50	Medium	2500	120	2300	25°	660	4 11/16
14478	50PAR30LN/CAP/NFL25	50	Medium	2500	130	2300	25°	660	4 11/16
14537	50PAR30LN/CAP/WFL50	50	Medium	2500	120	900	50°	660	4 11/16
14536	50PAR30LN/CAP/WFL50/RP	50	Medium	2500	120	900	50°	660	4 11/16
14486	50PAR30LN/CAP/WFL50	50	Medium	2500	130	900	50°	660	4 11/16
14786	75PAR30LN/CAP/NSP9	75	Medium	2500	120	15,400	9°	1130	4 11/16
14777	75PAR30LN/CAP/NSP9	75	Medium	2500	130	15,400	9°	1130	4 11/16
14769	75PAR30LN/CAP/NFL25	75	Medium	2500	120	4000	25°	1130	4 11/16
14778	75PAR30LN/CAP/NFL25	75	Medium	2500	130	4000	25°	1130	4 11/16
14768	75PAR30LN/CAP/WFL50	75	Medium	2500	120	1130	50°	1130	4 11/16
14785	75PAR30LN/CAP/WFL50	75	Medium	2500	130	1130	50°	1130	4 11/16
14590	45PAR/CAP/SPL/SP9	45	Medium Skirt	2500	120	10,000	9°	560	5 5/16
14593	45PAR/CAP/SPL/SP9	45	Medium Skirt	2500	130	10,000	9°	560	5 5/16
14589	45PAR/CAP/SPL/WSP12	45	Medium Skirt	2500	120	6300	12°	560	5 5/16
14592	45PAR/CAP/SPL/WSP12	45	Medium Skirt	2500	130	6300	12°	560	5 5/16
15538	45PAR/HAL/SPL/SP/RP	45	Medium Skirt	2500	130	10,000	9°	560	5 5/16
14588	45PAR/CAP/SPL/FL30	45	Medium Skirt	2500	120	1500	30°	560	5 5/16
14591	45PAR/CAP/SPL/FL30	45	Medium Skirt	2500	130	1500	30°	560	5 5/16
15537	45PAR/HAL/SPL/FL/RP	45	Medium Skirt	2500	130	1500	30°	560	5 5/16
14010	45PAR/CAP/WFL50	45	Medium Skirt	2500	130	700	50°	560	5 5/16
14469	60PAR/CAP/SPL/SP9	60	Medium Skirt	3000	120	16,000	9°	850	5 5/16
14449	60PAR/CAP/SPL/SP9	60	Medium Skirt	3000	130	16,000	9°	850	5 5/16
14423	60PAR/CAP/SPL/WSP12	60	Medium Skirt	3000	120	10,500	12°	850	5 5/16
14472	60PAR/CAP/SPL/NFL25	60	Medium Skirt	3000	120	3700	25°	850	5 5/16
14468	60PAR/CAP/SPL/FL30	60	Medium Skirt	3000	120	2500	30°	850	5 5/16

Ordering and Specification Information

Item Number	Ordering Abbreviation	Watts	Base	Avg. Rated Life (hrs.)	Volts	CBCP	Beam Angle	Lumens	MOL
14448	60PAR/CAP/SPL/FL30	60	Medium Skirt	3000	130	2500	30°	850	5 5/16
14514	75PAR/CAP/SPL/SP9	75	Medium Skirt	2500	120	19,200	9°	1060	5 5/16
14516	75PAR/CAP/SPL/SP9	75	Medium Skirt	2500	130	19,200	9°	1060	5 5/16
14510	75PAR/CAP/SPL/WSP12	75	Medium Skirt	2500	120	12,300	12°	1060	5 5/16
14513	75PAR/CAP/SPL/FL30	75	Medium Skirt	2500	120	3150	30°	1060	5 5/16
14515	75PAR/CAP/SPL/FL30	75	Medium Skirt	2500	130	3150	30°	1060	5 5/16
14517	75PAR/CAP/SPL/WFL50	75	Medium Skirt	2500	130	1300	50°	1060	5 5/16
14586	90PAR/CAP/SPL/SP9	90	Medium Skirt	2500	120	22,200	9°	1310	5 5/16
14587	90PAR/CAP/SPL/SP9	90	Medium Skirt	2500	130	22,200	9°	1310	5 5/16
14580	90PAR/CAP/SPL/WSP12	90	Medium Skirt	2500	120	14,300	12°	1310	5 5/16
14578	90PAR/CAP/SPL/WSP12	90	Medium Skirt	2500	130	14,300	12°	1310	5 5/16
15539	90PAR/CAP/SPL/SP/SP	90	Medium Skirt	2500	120	22,200	9°	1310	5 5/16
15545	90PAR/HAL/SPL/FL/SP	90	Medium Skirt	2500	120	3500	30°	1310	5 5/16
14579	90PAR/CAP/SPL/FL30	90	Medium Skirt	2500	120	3500	30°	1310	5 5/16
14577	90PAR/CAP/SPL/FL30	90	Medium Skirt	2500	130	3500	30°	1310	5 5/16
14602	90PAR/CAP/SPL/WFL50	90	Medium Skirt	2500	130	1310	50°	1310	5 5/16
14972	90PAR/CAP/2SP12*	90	Medium Skirt	2500	120	12,000	12°	1260	5 5/16
14630	90PAR/CAP/SPL/3SP12**	90	Medium Skirt	2500	120	12,000	12°	1310	5 5/16
14971	90PAR/CAP/2FL30*	90	Medium Skirt	2500	120	3500	30°	1260	5 5/16
14973	90PAR/CAP/2FL30*	90	Medium Skirt	2500	130	3750	30°	1260	5 5/16
14632	90PAR/CAP/3FL30**	90	Medium Skirt	2500	120	3750	30°	1310	5 5/16
14856	120PAR/CAP/SPL/SP10	120	Medium Skirt	3000	120	22,500	10°	1800	5 5/16
14874	120PAR/CAP/SPL/SP10	120	Medium Skirt	3000	130	22,500	10°	1800	5 5/16
14848	120PAR/CAP/SPL/NFL25	120	Medium Skirt	3000	120	7700	25°	1800	5 5/16
14855	120PAR/CAP/SPL/FL30	120	Medium Skirt	3000	120	4600	30°	1800	5 5/16
14861	120PAR/CAP/SPL/FL30	120	Medium Skirt	3000	130	4600	30°	1800	5 5/16
14594	120PAR/CAP/SPL/WFL55	120	Medium Skirt	3000	120	2000	55°	1800	5 5/16
15526	250PAR/CAP/SPL/SP10	250	Medium Skirt	4500	120	46,500	10°	3600	5 5/16
15558	250PAR/CAP/SPL/FL30	250	Medium skirt	4500	120	9000	30°	3600	5 5/16

*Cool Lux Lamps

**Side Prong Lamps

Ordering Guide

50	PAR30	LN	/	CAP	/	NSP	10
Wattage:	Parabolic Reflector	Long Neck		CAPSYLITE		Beam Spread	9°
35, 45	Diameter					NSP=Narrow Spot	10°
50, 60	14=14/8"					WSP=Wide Spot	12°
75, 90	16=16/8"					NFL=Narrow Flood	25°
120	20=20/8"					FL=Flood	30°
250	30=30/8"					WFL=Wide Flood	40°
	38=38/8"						50°
							55°

OSRAM SYLVANIA
National Customer
Support Center
18725 N. Union Street
Westfield, IN 46074

Industrial & Commercial

Phone: 1-800-255-5042
Fax: 1-800-255-5043

National Accounts

Phone: 1-800-562-4671
Fax: 1-800-562-4674

Special Markets

Phone: 1-800-762-7191
Fax: 1-800-762-7192

In Canada
OSRAM SYLVANIA LTD.
Headquarters
2001 Drew Road
Mississauga, ON L5S 1S4

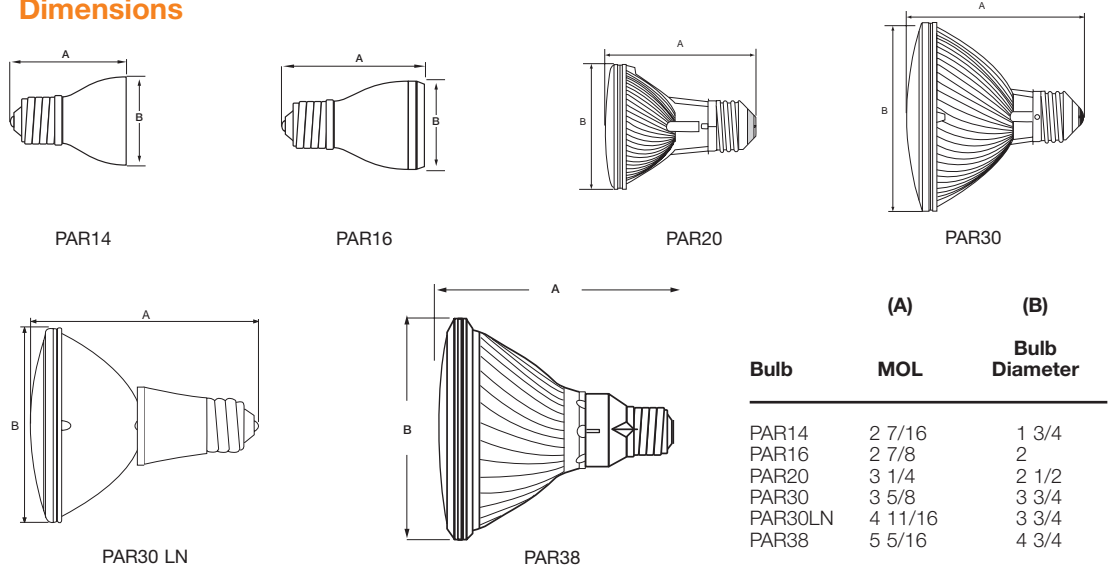
Industrial & Commercial

Phone: 1-800-263-2852
Fax: 1-800-667-6772

Special Markets

Phone: 1-800-265-2852
Fax: 1-800-667-6772

Dimensions



Visit our website: www.sylvania.com